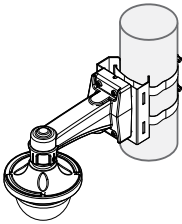


# DA-LM2000 INSTALLATION MANUAL

This manual is intended for users of the DA-LM2000 pole mounting bracket. It includes instructions for mounting the DA-LM2000 pole mounting bracket to a pole.

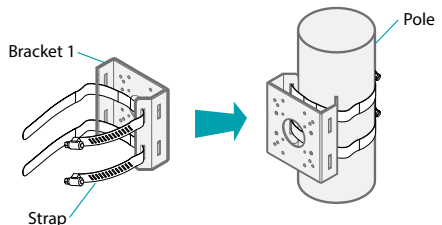


- **This bracket is intended to be used with DC-D1xxx, DC-D2233 or DC-T series model of cameras. Do not use it with other models of cameras.**
- **This installation should be performed by a qualified service personnel in conformance to all local codes.**
- **You may need to reinforce the pole. If the pole is not strong enough to support the camera, the camera may fall.**
- **Do not use this product for other purposes.**

## Mounting

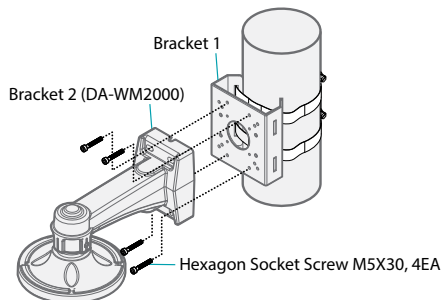
Mount the bracket to the pole as follows:

- 1 Mount bracket 1 to the pole. Fasten bracket 1 to the pole by adjusting the strap length. You can adjust the strap length by tightening or loosening the clamp screw.



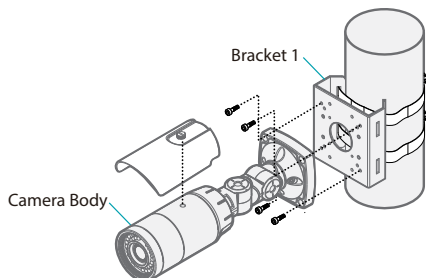
Connect your camera (DC-D1xxx or DC-D2233 series) to the bracket as follows:

- 2 Mount bracket 2 (DA-WM2000 model) onto bracket 1 by using the screws. The bracket 2 is sold separately.



## Connect your camera (DC-T series) to the bracket as follows:

- 2 Mount the camera body onto bracket 1 by using the screws.
- 3 Turn on power.



## Dimensions

Unit: mm (inch)

